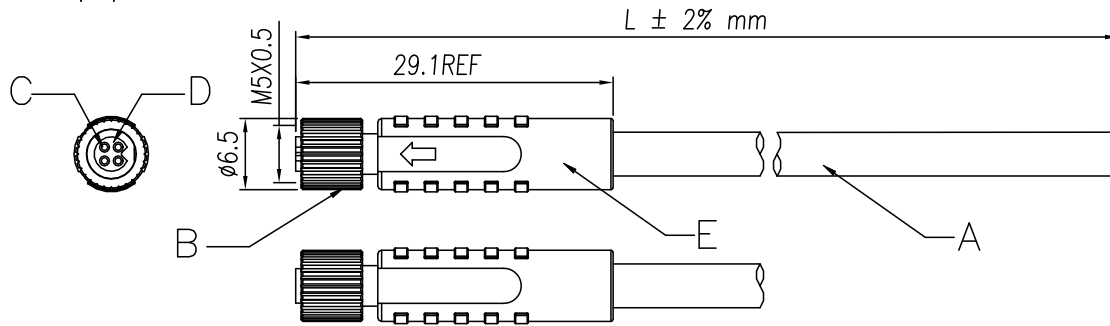


P1



| Contacts Pin 数 | 3Pin | 4Pin |
|--------------------|--------------------------|--------------------------|
| Coding 编码 | A-Coding | A-Coding |
| Rated Current 额定电流 | 1A | 1A |
| Rated Voltage 额定电压 | 60V | 60V |
| Wire Range 线范围 | 26AWG | 26AWG |
| PART NO.品名 (1.0M): | M05-A03-ST0-F02-BCC-100N | M05-A04-ST0-F02-BCC-100N |
| PART NO.品名 (2.0M): | M05-A03-ST0-F02-BCC-200N | M05-A04-ST0-F02-BCC-200N |
| PART NO.品名 (3.0M): | M05-A03-ST0-F02-BCC-300N | M05-A04-ST0-F02-BCC-300N |
| PART NO.品名 (5.0M): | M05-A03-ST0-F02-BCC-500N | M05-A04-ST0-F02-BCC-500N |
| Custimized.定制化: | | |

3Pin
P1 Wirelist
1 ————— brown
3 ————— blue
4 ————— black

4Pin
P1 Wirelist
1 ————— brown
2 ————— White
3 ————— blue
4 ————— black

| REVISION RECORD | | | | |
|-----------------|-------------|---------|----------|------------|
| REV. | DESCRIPTION | ECN No. | APPROVED | DATE |
| V0 | -- | / | | 2021.08.25 |

| IEC 技术参数 IEC Technical Data IEC61076-2-105 | |
|---|------------------------------|
| 工作温度 Operating temperatur [°C] | -25~+80 |
| 防护等级 IP Class (IN Locked condition) | IP67 |
| 额定电压 Rated Voltage [V] | 60 |
| 额定电流 Rated Current [A] | 1 |
| 导线截面积 Conductor cross section 硬质/柔性导线 Solid/ flexible [mm²] | 0.14 |
| 接线范围 Wire Range 单/多芯线 Solid/Stranded [AWG] | 26 |
| 材料 Material | |
| 绝缘材料 Insulation Material | PA 66 |
| 阻燃等级 Imflammability | UL94V-0 |
| 导体材料 Contactor Material | 铜合金 Copper alloy |
| 导体镀层 Contactive Coating | 镀金 Gold Plated |
| 螺母/螺丝 Connector Nut/Screw | Brass With Nickel Plated 铜镀镍 |
| 符合RoHS环保要求 | |

| | | | | |
|--------|-----------------|---|------------------|----------------|
| E | TPU | Molded With Black TPU | G | 5 |
| D | Housing | A-Coding Female,Black PA66 | pcs | 1 |
| C | Terminal | Female Terminal ,Brass With Gold Plated | pcs | X |
| B | Screw | Screw M5X0.5,Brass With Nickel Plated | pcs | 1 |
| A | Cable | UL2464 26AWG Black PVC Jacket | mm | XXX |
| 编号 No. | 料号 Materials.No | 品名 Name | 材料规格 Description | 单位 用量 Unit Qty |

| NO SPECIFIED TOLERANCE | | Cus' P/N: | Order No.: | --- | Drawing No.: | SP-02-M000XX |
|------------------------|-------|-----------|------------|------|--------------|--------------|
| LINEAR | 0.5-6 | ±0.1 | DES. | JUN | DATE | UNITS mm |
| | 6-30 | ±0.2 | CHK. | DATE | SIZE | A4 |
| | >30 | ±2% | APP. | DATE | SCALE | X:X |
| ANGLES | ±1° | | | | 文件等级:外部公开 | |



慈溪市万捷电子有限公司
CIXI WANJIE ELECTRONIC CO., LTD

PART NO.:
M05-AXXP-ST0-F02-BCC-XXXX

THIRD ANGLE PROJECTION



PAGE 1 of 1